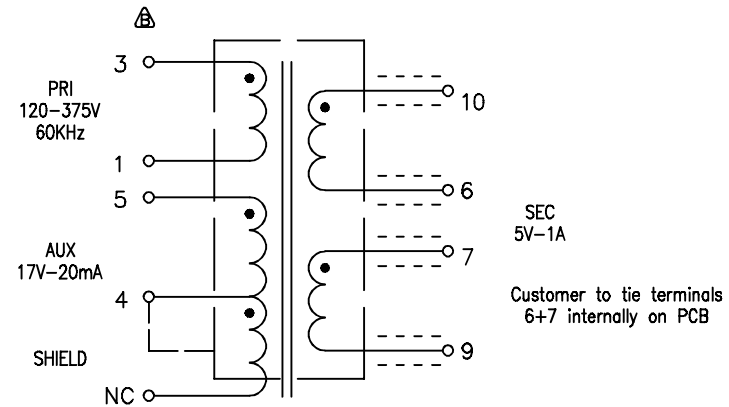


Unit:mm



ELECTRICAL CHARACTERISTICS:

1. DCR : PIN 1-3 = 3.33~4.07Ω  
 PIN 4-5 = 0.26~0.385Ω  
 PIN 10-9 (SHORT 6+7) = 0.0184~0.0276Ω
2. INDUCTANCE (@10KHz,100mVrms):  
 PIN 1-3 = 1.6mH ±10%
- △ 3. LEAKAGE INDUCTANCE (@100KHz, 100mVrms):  
 PIN 1-3 (PIN 4-5, 6+7+9+10 SHORT) = 55uH MAX.
4. TURN RATIO : (@100KHz, 0.1Vrms):  
 PIN 3-1 : 5-4 = 7.06 ±1%  
 PIN 3-1 : 10-9 = 15.87 ±1%
- △ 5. HI-POT : (@3.75KVAC, 3mA, 1SEC) PIN1-10; tie 3+4, 6+7  
 (@625VAC, 3mA, 1SEC) PIN1-5
- △ 6. OPERATING TEMPERATURE RANGE: -40° to 125°
7. RoHS COMPLIANT

						<b>AOEM.</b>		TITLE TRANSFORMER	
								DWG. NO. ATS-1385R	
RELEASE						UNITS:		SAFETY	
NO:		DESCRIPTION		DATE	BY	CHK	APPD	DATE	P/N:
REVISIONS								SHEET 1 of 1	
								DRAW	